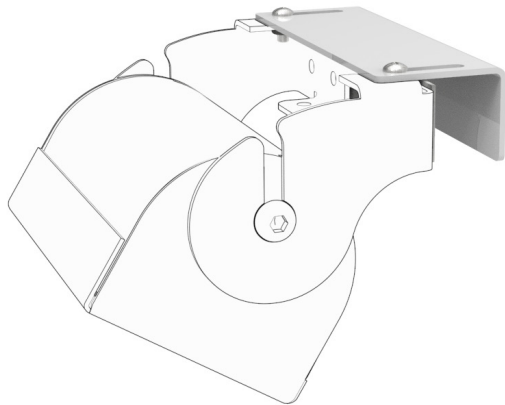




STS-S23-BRKT

Clamp Bracket for a single STS-S23 Overhead Speaker



CONTACTA WINDOW INTERCOM SYSTEMS

The STS-S23-BRKT clamp bracket is for use with a single STS-S23 overhead speaker. This clamp bracket can be adhered to a freestanding glass or safety partition and similar screens where the top of the glass is exposed. The clamp is adjustable between 2-20mm to accommodate a range of glass thicknesses.

Hardware and adhesive pads are included to secure the bracket to required surfaces.

Physical Data

Dimensions	Height – 0.98" Width – 3.77" Depth – 1.02"
Construction	Mild Steel
Finish	Powder Coated RAL 9006 Semi Gloss



Applications

For use where one to one communication takes place

- › Banks
- › Post Offices
- › Ticket Kiosks
- › Information Centers
- › Airports

contacta 

Phone: (616) 392-3400
Email: sales@contactainc.com
www.contactainc.com