

■ Specifications

Emission modulation	4 GFSK
Antenna	Flexible antenna
Headphone output	3.5 mm
Line output	3.5 mm
Battery (Provided 865MHz only)	2 x AA alkaline / rechargeable NiMH battery
Battery life	>10 hours (2,100 mAh rechargeable battery)
Dimensions (DxWxH)	88 x 64 x 29 mm/3.46 x 2.52 x 1.14 in(without antenna)
Weight (without battery)	109 ± 5 g/0.24lbs

Specifications are subject to change without prior notice.

■ RF-RX1 Box Contents:

RF-RX1 865MHz/915MHz, USB-M100, Lanyard, Belt Clip, 2100mAh NiMH rechargeable batteries (865MHz version only)

■ Manufacturer's Declaration

This product meets the following standards:

◆ Europe – EU Declaration of Conformity

This device complies with Directive 2014/53/EU issued by the Commission of the European

◆ Federal Communications Commission Interference Statement

Notice: The changes or modifications not expressly approved by the party responsible for compliance could void the user's authority to operate the equipment.

FCC INFORMATION

The Federal Communication Commission Radio Frequency Interference Statement includes the following paragraph: The equipment has been tested and found to comply with the limits for a Class B Digital Device, pursuant to part 15 of the FCC Rules. These limits are designed to provide reasonable protection against harmful interference in a residential installation. This equipment generates, uses and can radiate radio frequency energy and, if not installed and used in accordance with the instruction, may cause harmful interference to radio communication. However, there is no guarantee that interference will not occur in a particular installation. If this equipment does cause harmful interference to radio or television reception, which can be determined by turning the equipment off and on, the user is encouraged to try to correct the interference by one or more of the following measures:

- Reorient or relocate the receiving antenna.
- Increase the separation between the equipment and receiver.
- Connect the equipment into an outlet on a circuit different from that to which the receiver is connected.
- Consult the dealer or an experienced radio/TV technician for help.

◆ WEEE Statement

Electrical and electronic equipment must be disposed of at the end of their lifespan separately from household waste. Please dispose of this equipment at your local waste collection or recycling center. Please help to protect our environment.



◆ Safety and Electromagnetic Emissions Certificates

- Standard Compliance
- RoHs compliant
 - European Directive 2011/65/EU
- Certificates (country dependent)
- CE • NCC
 - C-TICK • TELEC
 - FCC

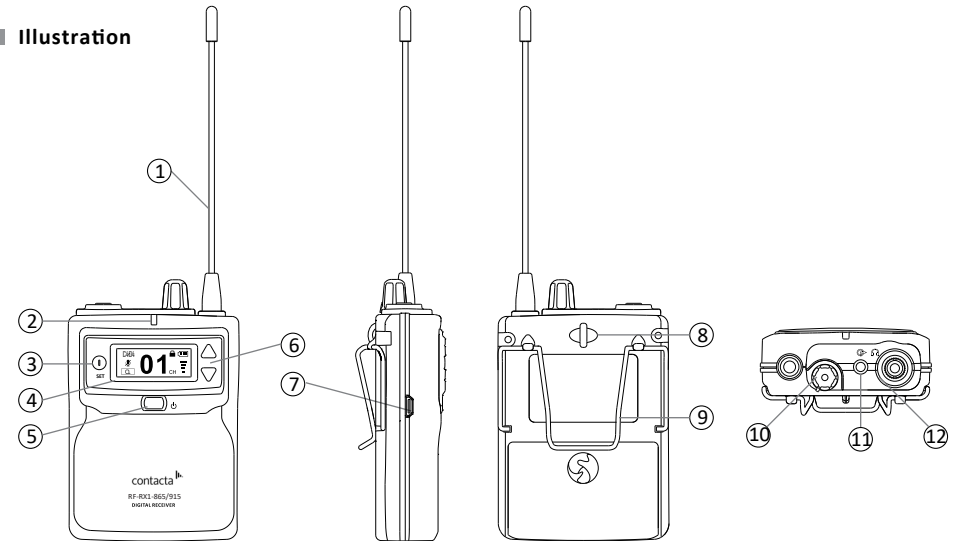
Version:9080-015-D2-0124



Contacta Systems Ltd
Office 13, Dana Estate
Transfesa Road
Paddock Wood
TN12 6UT
(Tel) +44 (0) 1732 223900 (UK)
sales@contacta.co.uk

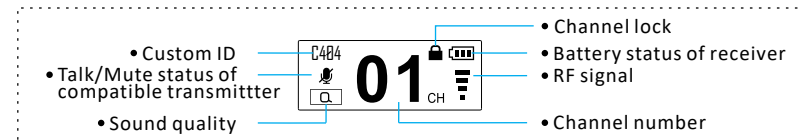
Contacta Inc USA
4025 Tampa Rd,
Suite 1107A,
Oldsmar, FL 34677
(Tel) +1 616 392 3400 (USA & Canada)
info@contactainc.com

■ Illustration



- ① Flexible antenna
- ② Power / Rx LED indicator
 - Steady blue (red): Sufficient (Low) power and Tx signal received.
 - Flashing blue (red): Sufficient (Low) power but Tx signal not received.
- ③ Set button
- ④ Backlit screen
- ⑤ Power button
- ⑥ Up / Down button
- ⑦ Charging port (when NiMH battery applied)
- ⑧ Lanyard hole(feed lanyard through)
- ⑨ Belt clip
- ⑩ Volume dial
- ⑪ 3.5 mm audio-out jack (for use with RF-NL1 and RF-IEH)
- ⑫ 3.5 mm headphone jack (for use with RF-NL1 and RF-IEH or RF-HP1)

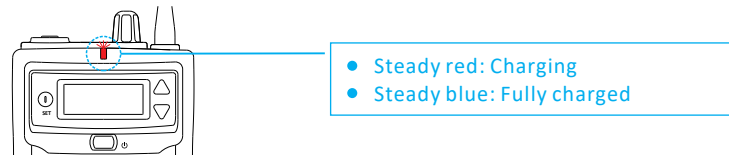
■ Screen




■ General operation

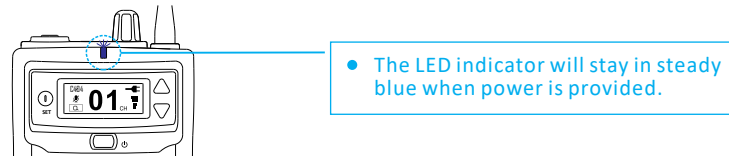
- ◆ Power on
Press and hold the power button for 1 second to turn the receiver on.
- ◆ Adjust channel manually
 - Channel lock is activated
The screen will automatically be locked (🔒) when the receiver is on and idle for 5 seconds. To unlock the receiver, press both ▲ and ▼ buttons for 1 second until symbol 🔒 disappears. Now, press the ▲ or ▼ button to select another preferred channel. Once newly selected channel is determined, press the set button again to confirm the selection and then symbol 🔒 will show up again.
 - Channel lock is de-activated
Simply short press the ▲ or ▼ button to select another preferred channel. Newly selected channel will automatically be determined after the receiver is idle for 1 second.
- ◆ Check channel frequency
Short press the set button to check the frequency of selected channel. The receiver will return to the home screen after being idle for 2 seconds.

- ◆ **Power off**
Press and hold the power button for 2 seconds to turn the receiver off.
- ◆ **Micro-USB connection (Only necessary if RF-DC6/RF-DC24 is not used)**
 - **Charging:** Micro-USB connection will be indicated on screen as “charging” function only when receiver is powered off before being connected.



⚠ Be sure rechargeable batteries are inserted into the receiver before charging.

- Power supply: If the receiver is connected with micro-USB cable while it's on, this connection is indicated as “power supply” and symbol  will show up on the screen.

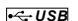


■ **Advanced Settings**

- ◆ **Setting adjustment**
 - 1.To enter settings mode, switch off the receiver then, press and hold both set and power buttons simultaneously to turn the receiver on.
 - 2.“Setting” mode will be entered successfully for manual adjustments.
 - 3.Press the ▲ or ▼ button to scroll options. See setting menu below.
 - 4.Press the set button again to confirm the selection and exit the settings menu.
 5. To leave the “setting” mode, find “EXIT” in the menu and press the set button once more.

● QUALITY	This refers to sound quality of the receiver. ① HQ: Higher ② Q (default) : Regular <i>Note: HQ will be the only option for limited bands.</i>
● LOCK	Channel will automatically be locked when the receiver is on. ① ON (default) ② OFF
● SQUELCH	This refers to signal quality of the receiver. The better the signal quality, the shorter the operation range. ① HIGH: Operation range will be shorter. ② LOW (default) : Operation range will be greater.
● AUDIO VOLUME	This refers to the volume of audio-out. ① HIGH ② MID (default) ③ LOW
● AUTO PWR-ON	The receiver will automatically be turned on when being taken out from the charger. ① ON ② OFF (default)

● AUTO PWR-OFF	The receiver will automatically be turned off after being idle for 20 mins. ① ON (default) ② OFF
● EXIT	—

- ◆ **Reset to Factory Settings**
 1. Press and hold ▲, ▼ and power buttons simultaneously to turn the receiver on.
 2. The receiver will return to default settings automatically.
 3. The following lists RF-RX1 default settings.
 - Channel: 01
 - Quality: Q (HQ for limited bands)
 - Lock: ON
 - Squelch: LOW
 - Audio volume: MID
 - Auto pwr-on: OFF
 - Auto pwr-off: ON
 4. If a factory reset is performed, the following settings will be reset to default.
 - Custom names will be removed
 - All channels will become open
 - All defined ID will be removed
- ◆ **Installing Programming Software (OKAY-CON-SW)**
 1. Press the power button when the receiver is connected with PC. Then,  will show up on the screen which means the receiver is ready for programming.
 2. Software OK-CON-SW is available for following setting adjustments (see OKAY-CON manual for additional instructions).
 - Custom channel names.
 - Specific Channel Selection
 - Unique ID number
 - Reset settings
 3. After channel / setting programming is completed and uploaded onto the receiver, please ensure that the device is turned off correctly to ensure that settings are saved. Do not disconnect during programming.

■ **Troubleshooting**

Trouble	Solution
◆ Why can't I turn the receiver on?	<ul style="list-style-type: none"> ● Check if batteries are inserted in the receiver. ● Check if the polarity of batteries are correctly inserted. ● Check if batteries are operational.
◆ Why can't the receiver connect to/pickup from the transmitter?	<ul style="list-style-type: none"> ● Check if the frequency of transmitter and receiver matches. ● Check if “quality” setting (Q / HQ) on both transmitter and receiver is equal. ● Check if selected channel on both transmitter and receiver is equal. ● Check if microphone on transmitter or earphone on receiver is connected well. ● Check if the volume of receiver is tuned at appropriate level. ● Check if the receiver is located within the operational range of the transmitter.
◆ Why do I hear "Hiss" or "Noise" on receiver?	<ul style="list-style-type: none"> ● Check if the earphones on the receiver, or the microphone on the transmitter connects and works well. If not, please try another replacement earphone or microphone. ● If the "Hiss" or "Noise" still exists, please return the receiver / transmitter to your supplier or Contacta for further analysis.